

FIRÉZ™

EXCLUSIVE FIREPLACES

LED Electric Fire Range with

Thermostatic Remote Control

(Covers Models:1250, 1500, 1600 &, 1800,
2200 S Line1500&S Line1800)

Instructions for Use & Installation

For use in Great Britain & Republic of Ireland

CONTENTS

Product Information.....	4
Unpacking Appliance.....	5
Unpacking Log set and accessories.....	5
Health & Safety.....	6
Installation Instructions.....	8
Manual & Remote Use.....	11
Cleaning & Maintenance.....	13
Warranty.....	14

Product Information

Manufacturer Name: Firez Exclusive Fireplaces

Model Number: Firez 1250, Firez 1500, Firez 1600, Firez 1800, Firez2200

Voltage: 220V – 240V AC50HZ

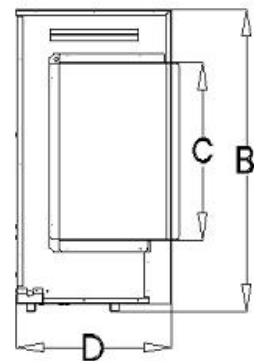
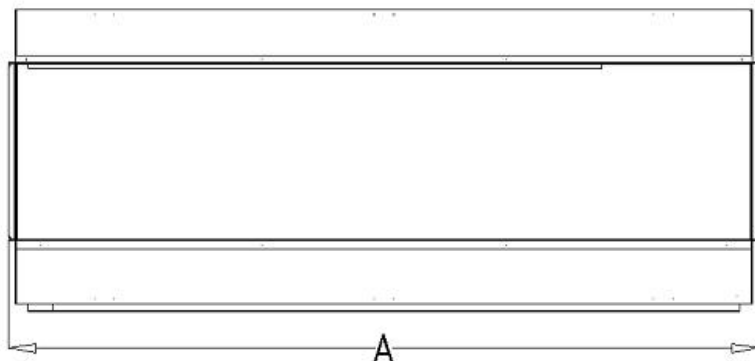
Fuse: 13Amp

Nominal heat output: 2.0KW

Minimum heat output: 1.0KW

Maximum heat output: 2.0KW

Dimensions



MODEL	Width A	Height		Depth Overall unit(D)
		Overall unit(B)	Glass Height (C)	
Firez1250	1280MM	617MM	360MM	330MM
Firez1500	1530MM	617MM	360MM	330MM
Firez1600	1630MM	617MM	360MM	330MM
Firez1800	1830MM	617MM	360MM	330MM
Firez2200	2230MM	617MM	360MM	330MM

Product Information

Manufacturer Name: Firez Exclusive Fireplaces

Model Number: S Line1500,S Line1800

Voltage: 220V – 240V AC50HZ

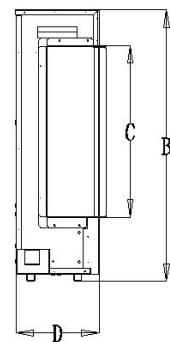
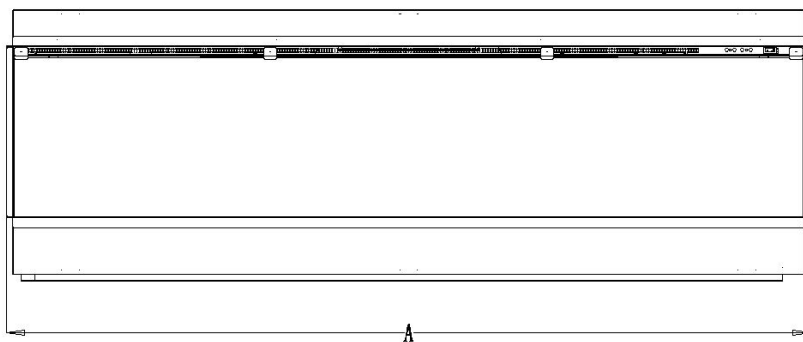
Fuse: 13Amp

Nominal heat output: 1.6KW

Minimum heat output: 0.8KW

Maximum heat output: 1.6KW

Dimensions



MODEL	Width A	Height		Depth Overall unit(D)
		Overall unit(B)	Glass Height (C)	
S Line1500	1530MM	617MM	385MM	190MM
S Line1800	1830MM	617MM	385MM	190MM

Unpacking Appliance

Your new fire is a heavy unit and care must be taken when unpacking, consideration should be given to the location of unpacking. It is recommended that unpacking of the appliance is carried out by two persons on a flat surface, preferably the floor. Caution should be taken when unpacking on solid floors such as wood or vinyl as scratching or indentation could occur.

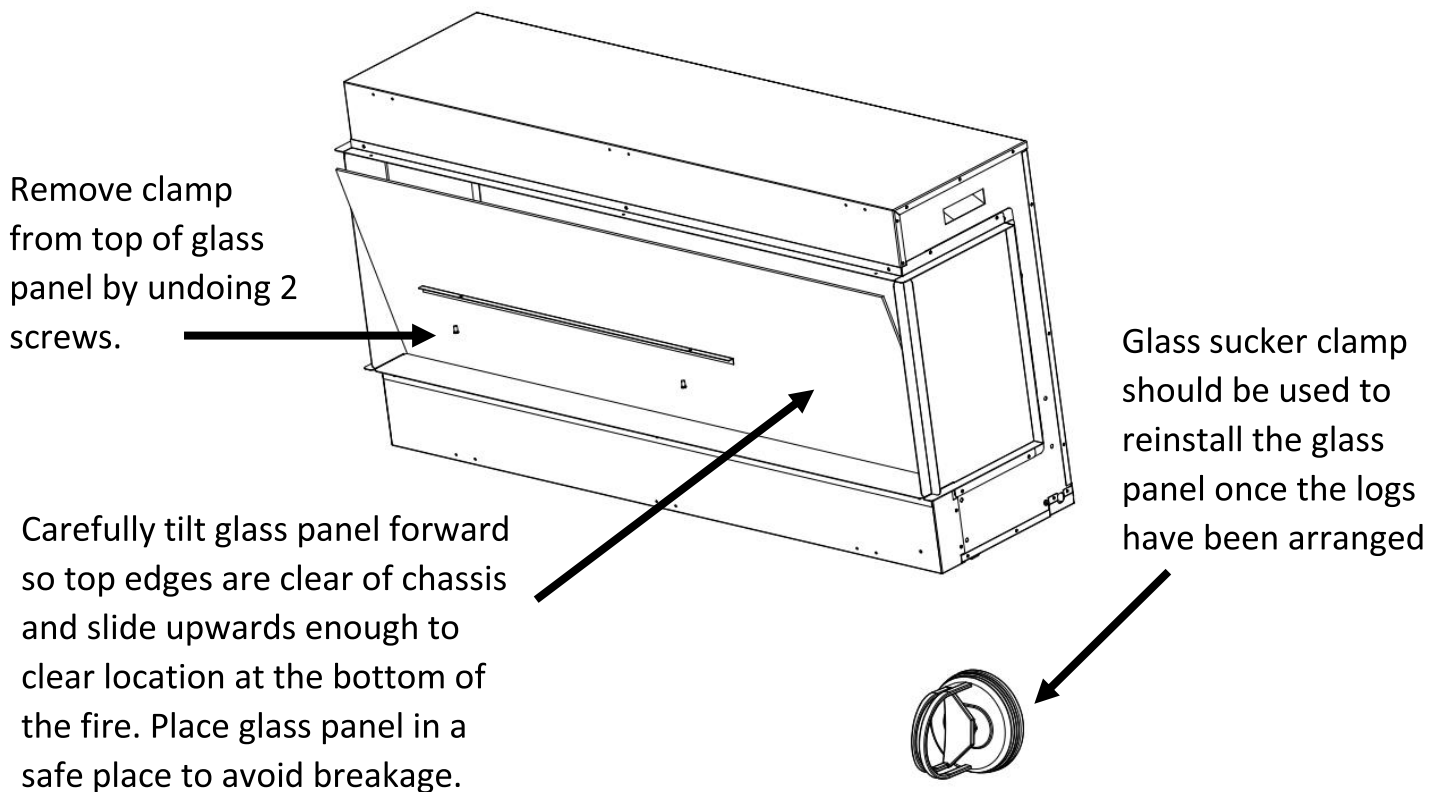
Please note that the box should not be opened with sharp objects or knives as could cause damage to the appliance inside. Removal of rings, bracelets or watches is advised as may also cause damage.

Packaging should be retained until everything is thoroughly checked and all items are confirmed to be present and correct before disposal at a local recycling facility.

Plastic packaging should be disposed of in the appropriate manner, care must be taken to avoid children playing with plastic bags and small parts as can cause suffocation and present a choking hazard.

The appliance should be checked to ensure it is functioning correctly before commencing the installation and also for damage which should be reported to the retailer within 48 hours of delivery.

Unpacking Log set and accessories



IMPORTANT

Please read these instructions carefully before commencing installation as they contain essential information which cannot be rectified later. These instructions must be retained for future use as well as maintenance and servicing.

This product is only suitable for well insulated spaces and occasional use, it is not to be used as a primary source of heating.

Parts of the outer casing of this appliance are considered to be working parts and therefore can become hot during operation of the heating functions, care should be taken to prevent the elderly, infirm or children from touching these parts to avoid injury. If there is a risk of injury then a suitable fire guard should be used.

The heating grille at the top of the fire can become hot to touch during operation and should never be covered in any way as can cause damage to the unit and also create a fire risk.

For use with 230V 50Hz Electrical supply only, this appliance must be earthed.

Health and Safety

This appliance must not be located immediately below a fixed socket. This appliance should not be used or located in the immediate vicinity of a bath, shower, swimming pool or any other area where it could come into contact with water, moisture or humidity.

DO NOT COVER AIR INLET OR OUTLET AS THIS COULD CAUSE THE UNIT TO OVERHEAT AND PRESENT A FIRE RISK.

FOR INDOOR USE ONLY, this appliance is not suitable for outdoor use.

This appliance must be installed in a suitable enclosure constructed from studwork made of timber or steel. Careful consideration must be given to the weight of the appliance and appropriate supports installed to hold such weight.

Where electrical cables pass through holes in a steel framework, care should be taken at these sections to prevent wear and tear to the cable from possible sharp edges of the unfinished steel. All electrical cables should be kept away from the immediate area surrounding the heater on the appliance. If there is damage to the electrical cable then this must be replaced before continuing use. DO NOT OPERATE THE APPLIANCE IF IT HAS ANY DAMAGE.

Repairs of electrical components or appliances must only be carried out by an electrical engineer or otherwise competent person. In the event of the appliance failing to operate, please contact the retailer from whom the appliance was purchased from.

If installation is located against an open chimney or flue system then the flue system should be insulated and blanked off to prevent unwanted draughts which will cause the thermal cut-out on the fire to operate.

This appliance is not intended for use by children however children over 12 years of age are permitted to operate with adult supervision only. Children below the age of 12 should not be left alone while the appliance is in use unless a suitable fireguard is in place. Certain parts can become hot during operation.

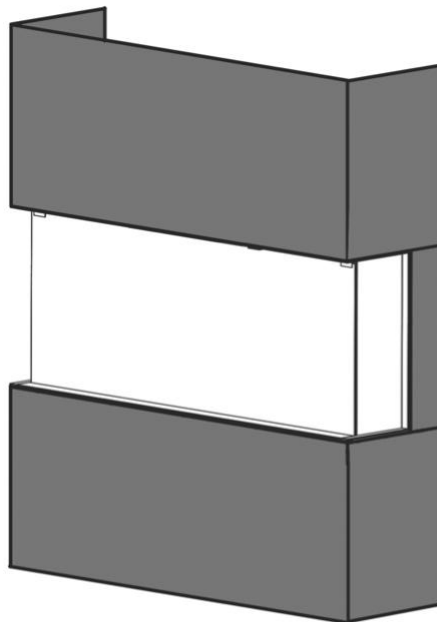
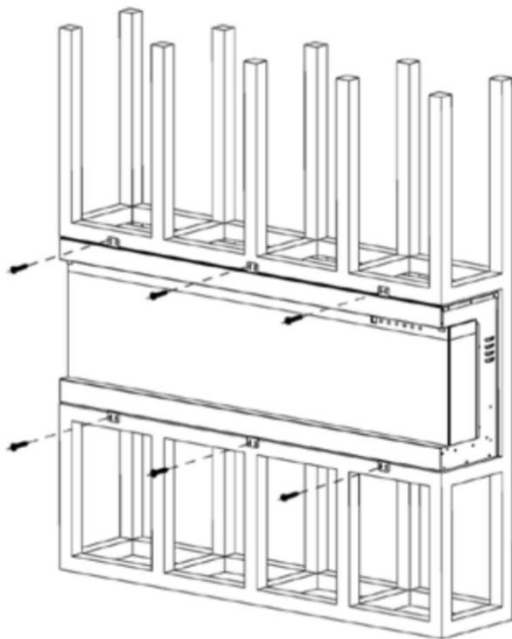
Children should not be allowed to play with the appliance or the remote control system or be permitted to clean the appliance.

Installation

Installation of this appliance can be performed in different ways to give the same overall outcome. Careful consideration must be given to the design of the enclosure to ensure a safe and secure installation.

This appliance should be fitted to one of the following options:

1. Mounted on a solid base constructed from masonry, steel or timber, please keep a minimum distance of 50mm above the top of the fire for any combustible materials due to heat from the heater.
2. Fitted into a studded wall constructed from timber or steelwork and finished in plasterboard with a plastered finish.



The appliance is a heavy unit which will require substantial supports to hold the weight. The starting base support must be level in order to achieve correct operation of the appliance and to prevent vibrations on completion. A series of nail/screw plates are supplied to aid installation, the fire has an external window edging frame to which the installation can be plaster boarded against and skimmed up to in order to create a finished edge. The appliance and metal edges should be covered prior to plastering to avoid dust entering the air inlet/outlet and also causing scratches when cleaning and finishing the installation.

The appliance can be fitted in various locations but it is advised to stay clear of areas with water or bright lighting to achieve the best display. If it is intended to create a TV recess it is advised that a 25mm air gap be left around the perimeter of the TV bezel to avoid overheating of the TV. It is also recommended that a suitable cantilever style bracket is used to allow access to the rear of the recess to access any electrical sockets that may be placed here for a professional installation. Care must be taken to avoid piercing the body of the appliance with screws or nails which could cause shock or electrical malfunction.

Ideally the enclosure should be against a solid wall however can also be installed against a non-solid wall provided appropriate fixings are used and the structure is secure and adequately sound. Care should be taken to avoid drilling into existing pipes or cables, this can be achieved by using an appropriate detector.

Though the fire is supplied with a 13A fused plug this can also be altered to suit the installation by a qualified electrician. Ideally a plug socket should be close to the appliance for power or a suitable fused spur installed by a qualified Electrician, this should be located to the side closest to the power entry point on the appliance. Care should be taken to avoid trapping the cable to the appliance as could cause issues after the installation has been completed.

The appliance should not be used with an extension lead or timer.

Always ensure that all electrical work complies with the relevant building regulations and the electrical code of practice.

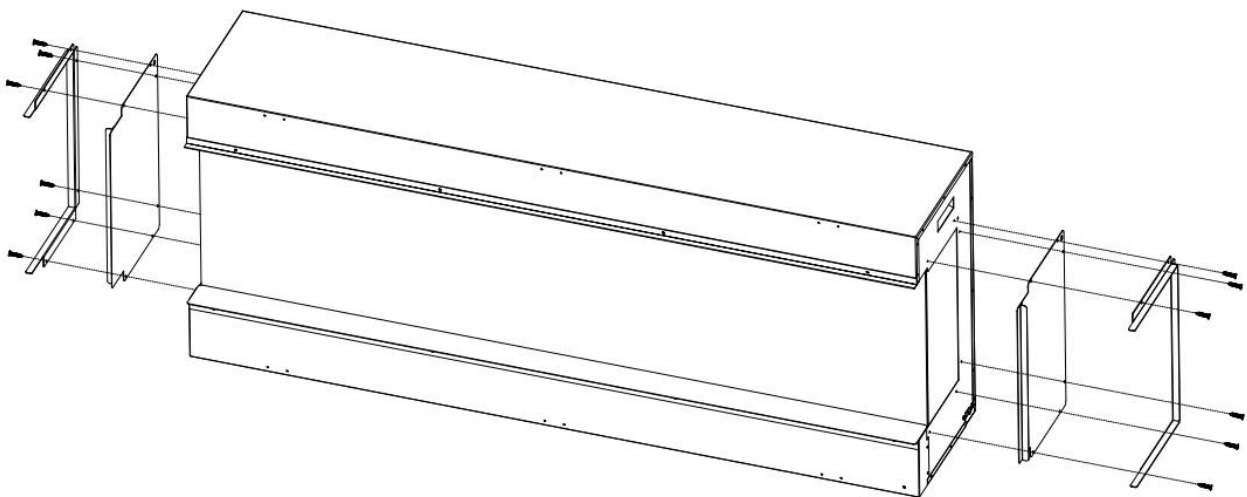
Soft furnishings such as curtains must be kept to a minimum distance of 1m from the appliance heat outlet to avoid potential damage and fire hazard.

Placing of Fuel bed

The appliance is supplied with a mixed, loose fuel bed, there is no set positioning for this as can be placed randomly, it is recommended that the clear and black crystals are placed across the base of the appliance first followed by the log placement. For added realism it is also recommended that smaller charred logs are placed 50mm in front of the ember lights towards the front of the appliance either straight or angled, as these lights independently pulse this will give the impression of dying embers. Once the desired log placement has been achieved then the vermiculite can be sprinkled beneath any log required to give the impression of ash falling from a burning log.

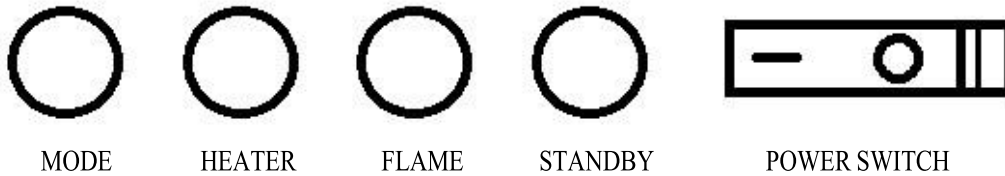
Optional Side Panels

When unpacked the fire has only one pane of glass visible at the front. The two side window panes are covered by two metal blanking plates. If the fire is to be installed as a two or three sided appliance then these plates need to be removed, to do this unscrew the fire frame from the body of the fire, remove the panel and then refit the fire frame.



Operating the fire:

Manual control:



This appliance can be operated manually using the controls situated on the top right hand side of the fire screen.

ON/OFF POWER SWITCH- This switch is used to turn the mains supply to the appliance on or off. When the switch is in the ON position an orange indicator light will show in the middle of the screen. This needs to be in the on position for both manual and remote operation.

STANDBY- Used to switch the appliance ON or OFF into standby mode.

FLAME- Pressing this button will cycle through the four different flame brightness levels.

HEATER- Use this button to select low heat, high heat or heater off.

When low heat is selected the indicator light will glow orange.

When high heat is selected the indicator light will glow red.

Please note that the heater will only operate when the room temperature is below the temperature on the handset, which can be adjusted using the remote or through the app. When the heater switches off the fan will continue to run to cool the appliance.

MODE- Shuffle through a selection of pre-programmed effects.

Remote control:

Ensure that the ON / OFF Power Switch on the fire is in the ON position.

Point the remote-control handset directly towards the fire and press the appropriate button to operate the fire.

Standby button:

Use this button to switch the fire on / off, and unlock the remote if remote is locked.

Heat button:

Use this button to control heating level.

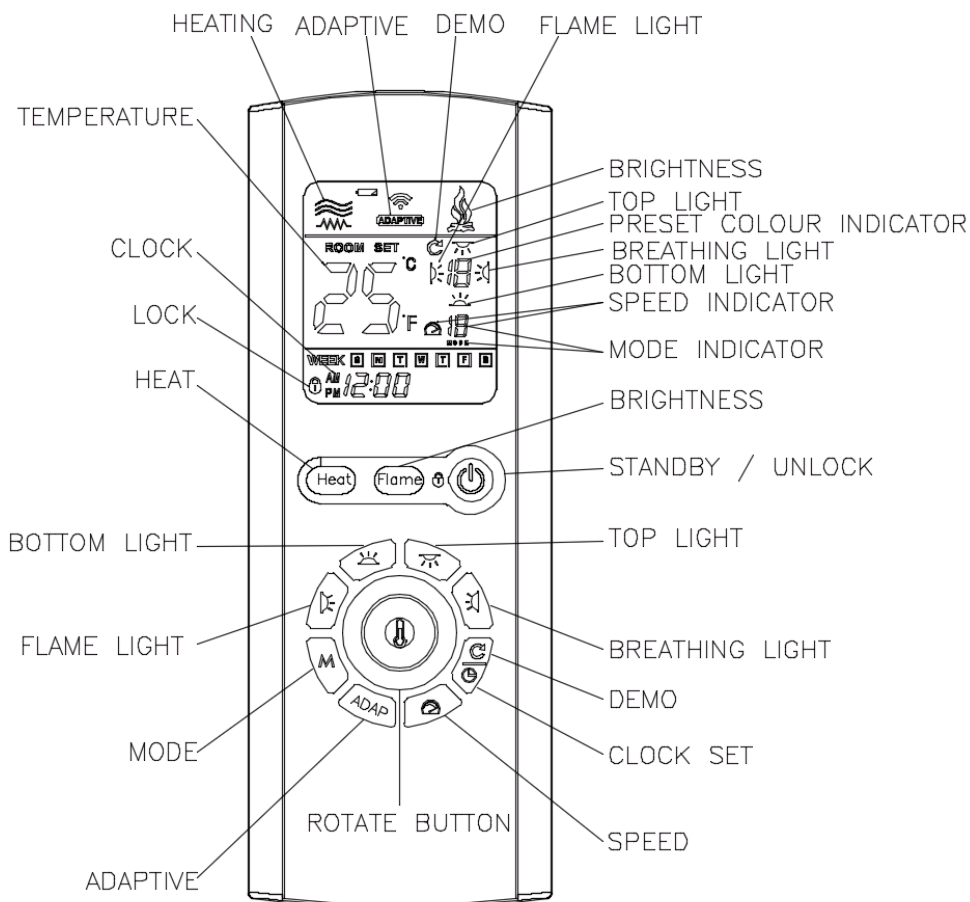
Flame button:

Use this button to control brightness level.


Setting the colour functions:

Press lamp buttons: 

Then rotate the rotate button, will change colour of flame light, bottom light, top light separately.



Setting the Time:

1. Press clock set button  to start clock set.
2. Use rotate button to select days, hours, minutes, and confirm setting.

Set Mode and Speed:

Press Mode or Speed button, then use rotate button to set, will see number indicator on remote screen.

Adjusting the desired temperature:

While the fire is heating on, use rotate button to set the desired temperature.

A confirmation beep will be heard from the fire. If the room is already warmer than the temperature set then the heater will switch off until the thermostatic sensor detects a fall in temperature.

Adaptive Control

Adaptive control works in target temperature 25°C with high heat.

Breathing and Demo Control

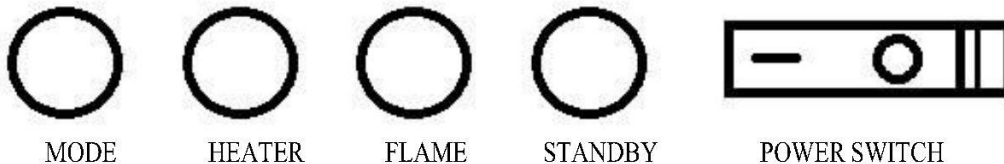
Press breathing light button or Demo button will switch the function on / off.

Wi-Fi / Smart control:

Preparation

In order to prepare please check that your mobile phone is connected to your Wi-Fi router. Plug your fire in to the wall. Switch the fire on at the wall socket. DO NOT use the STANDBY button to turn on, use the power switch. You should see an orange dot appear on the screen.

The buttons on the fire are as follows:



1. Download the 'Smart Life' APP

- The app is free on both Google play and the app store.
- Please search 'Smart Life – Smart Living'.
- Download the app.

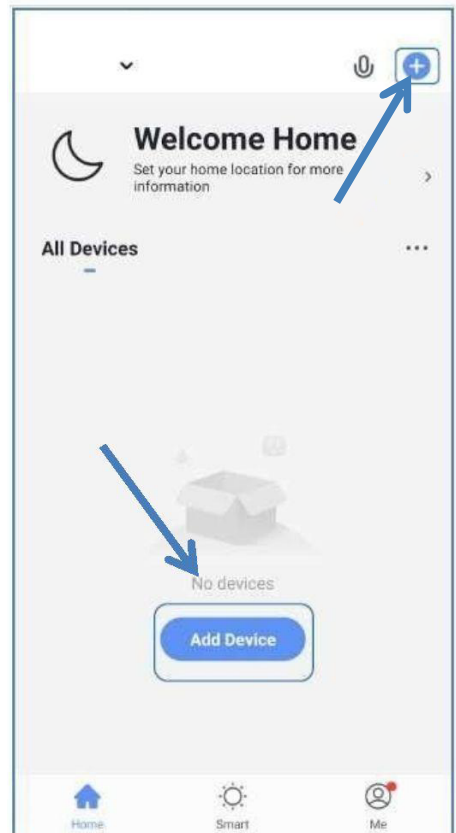


2. Open the Smart Life App, Register and Log in

- Open the app and click the register button, unless you have an existing account, then please log in with your existing details.
- Input an email, the app will send a code in order to verify your email.
- Once you have received the code, input the code and create your password.

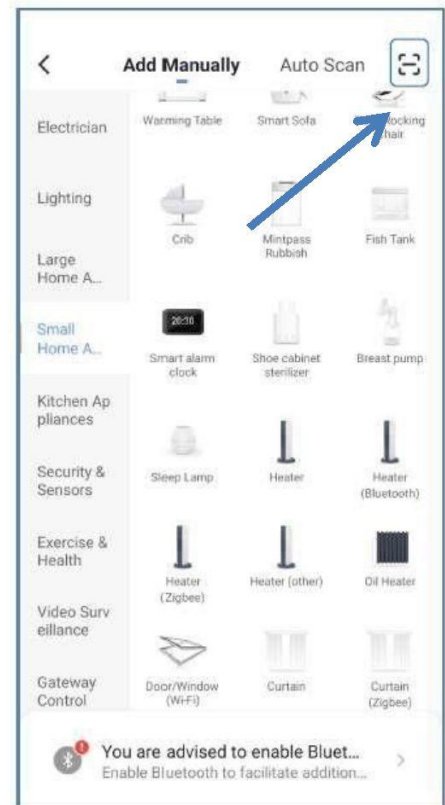
3. Add your device

- Please touch the 'Add device' button or the 'Add' symbol to add your device.



4. Scan the QR code

- Touch the 'SCAN' symbol.
- Scan the below QR code.



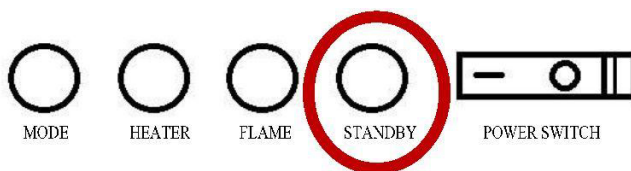
5. Connecting to your Wi-Fi

- Select your Wi-Fi network and input the password of your Wi-Fi network.

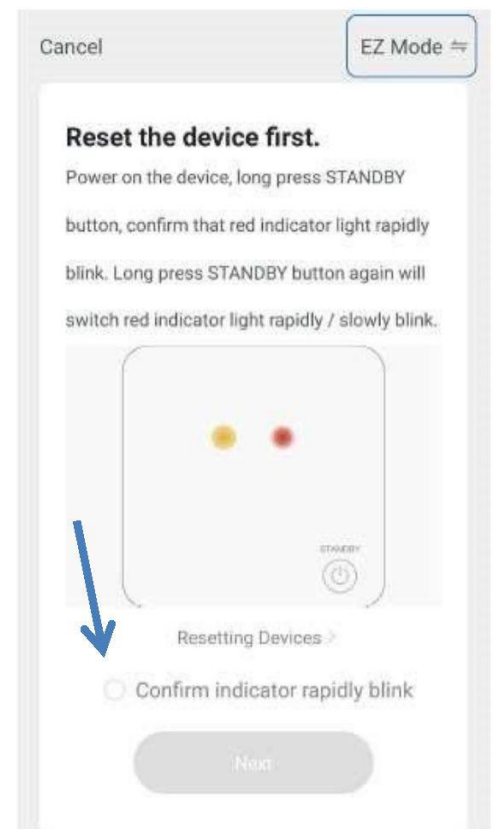


6. Establishing a connection

- Give a long press to the standby button for around 3 seconds.



- You should see a red light next to the orange dot in the middle of the fire screen. The red light should be blinking quickly on the screen. Roughly 2 times per second.
- When prompted, if the red light is blinking rapidly, confirm that the indicator is rapidly blinking by checking the circle and then by pressing 'Next'



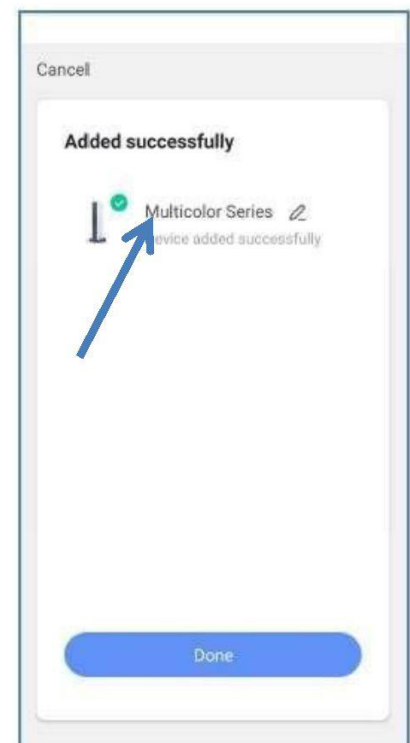
7. Adding your device

- Wait whilst the app adds the device. Please keep the phone close to the device whilst the device is syncing.
- If it fails to sync Repeat steps 4,5 and 6



8. Your device has been added successfully.

- Now your device has been successfully added click on the device and you are ready to start using your phone to control your fire.



Cleaning & Maintenance

Before carrying out any cleaning or maintenance, please make sure the appliance is switched off at the plug or switched spur. Your fire should not require cleaning internally though externally will require general dusting and cleaning of the glass panes, this can be carried out using a soft lint free cloth such as a microfiber and standard glass cleaner to remove fingerprints and any other marks. Should the log fuel bed require cleaning then this can be done by removing the front glass(See glass removal instructions on page 4) and dusting with a soft, dry paintbrush.

Cleaning of the air intakes and output is suggested by using a vacuum cleaner to remove any dust particles that may have entered especially through periods where the heater has not been used

Safety features

As this appliance contains a heating component there is an automatic thermal cut-out safety feature. This feature stops the product from overheating and from potentially causing a fire. If the appliance reaches a temperature above the guideline parameters the automatic thermal cut-out safety feature will activate and the heater will cut out, however, the fans will continue to operate in order to cool down the appliance and the heating element.

Once sufficiently cooled the automatic thermal cut-out safety feature will automatically reset and the heater will be restarted. If the thermal cut-out continues to trip in and out then turn off the fire and disconnect from the plug socket or switched spur. Check that none of the ventilation vents on the front of the appliance are obstructed, if you appliance is connected to a chimney then there is a possibility that the flue has not been correctly insulated or blocked.

If the problem continues, keep the product unplugged from the power socket and contact your supplier.

WARNING!

- **The heater should NEVER be submerged in water.**
- **The interior should NEVER be wet.**
- **Cleaning chemicals such as but not limited to detergents, alcohols and abrasives should NOT be used.**

Environment:

DO NOT throw out your appliance or its parts as general waste, contact your local recycling centre for further advice on safe and responsible disposal. Please do not dump your appliance as if not correctly treated, hazardous substances can leak into water supplies affecting animals and the health and wellbeing of others.

Warranty:

In the unlikely event that the appliance should prove to be defective due to fault, design, materials or workmanship within 12 months of purchase, the product will be repaired free of charge in accordance with the following conditions:

It is the consumers' responsibility to prove that the unit is under warranty by way of a receipt of purchase.

All warranties will be null and void if unauthorised repairs or modifications have been made to the appliance or in case of accident, misuse or damage caused by improper installation, damage occurring during transit to or from the repairer and altered or missing serial numbers.

The manufacturer shall not be liable for any consequential loss or damage whatsoever arising from or in connection with this appliance being incorrectly installed.

"No fault found" service calls and installation errors are not covered under the manufacturer's warranty and will result in a charge being made for the callout by our appointed service engineer.

The warranty is in addition to and does not affect the statutory rights of the consumer.

Manufacturers name and contact details : Firez Exclusive Fireplaces

<https://www.firez.co.uk/>